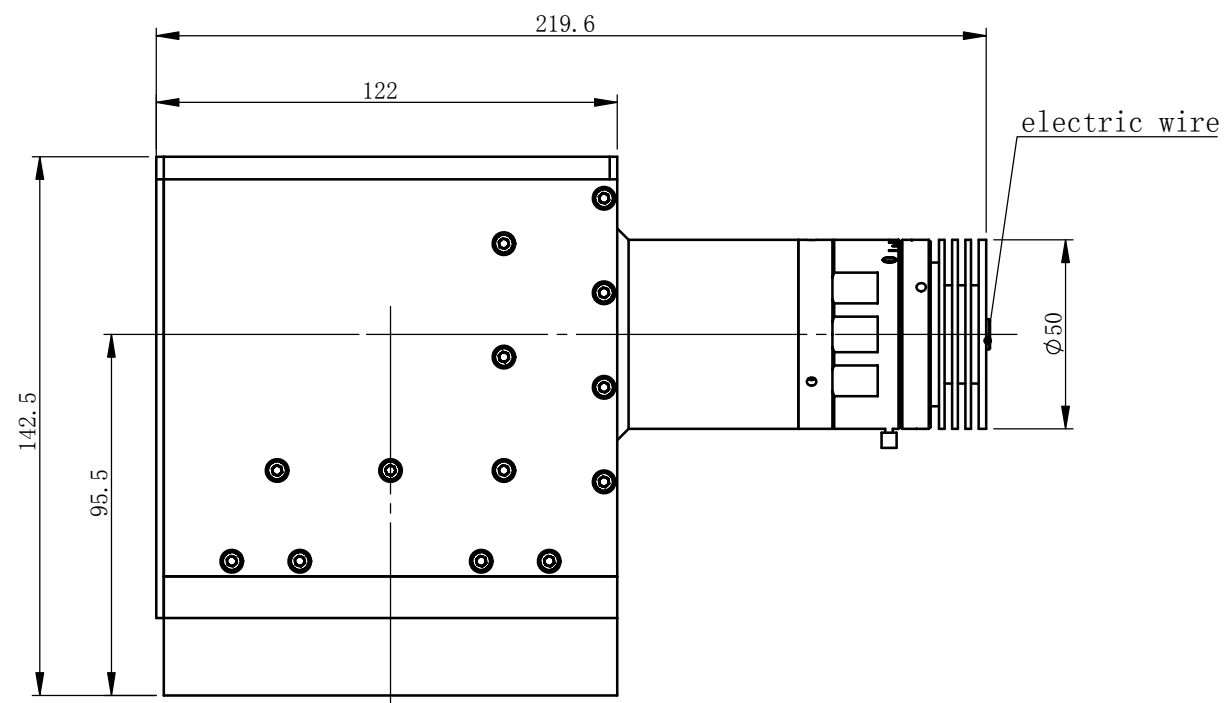


XF-PTI100-L90-(C)

Specificaition

Rated Power :	5W
Rated Voltage :	24V
Max Current :	208mA
Beam Diameter :	Φ100mm
Working Distance:	165 ± 110mm (Diameter of diaphragm: 4mm)
Aperture Angle:	



Diameter of diaphragm(mm)	1	2	3	4	5	6	7	8	9	10
NA	0.002	0.005	0.007	0.009	0.011	0.014	0.016	0.018	0.020	0.023
Aperture Half-angle(°)	0.13	0.26	0.39	0.52	0.65	0.78	0.91	1.04	1.17	1.30
File Name			Light Source Colour(C)							
XF-PTI100-L90-(C)			R	G	B	W				
Undefined tolerance (mm)		degree		File Name						
X.X	±0.2	±30min		XF-PTI100-L90-(C)-外形尺寸-EN						
X.XX	±0.02	Drawing Name								
X.XXX	±0.005	Drawing Size: A3								
Sign		Data/Ver.	Material	Ratio	Product Name					
Design				1:5						
Modify1			Qty			Canrill OPTICS				
Modify2			Total:	Page:		 <small>All design and drawings are intellectual property of Canrill Optics, can not be copied without Canrill's authorization.</small>				